

THE CIRCLE CITY COMMUNICATOR

VOLUME XX - ISSUE 5

ARRL AFFILIATED CLUB No. 2108

MAY, 2003

Welcome to **The Circle City Communicator**, the newsletter of the **Corona Norco Amateur Radio Club (CNARC)**. The communicator is published once each month approximately one week before each club meeting. Club meetings are held on the first Monday of every month at 7:00 PM at the Corona Senior Citizens Senior Center, located at the corner of 10th and Belle Streets in Corona.

Spark Gap Transmitter Presentation To Highlight May Meeting

At the May meeting, Steve Jensen, W6RHM, will give a spark-gap transmitter demonstration.

Steve was first licensed on July 14, 1952 as WN6RHM while residing in Studio City, CA. He enjoys QRP activities and has an INDEX Labs "QRP Plus" rig which he travels with frequently. While at UCLA in the early 60's, he was active with the W6YRA club station there. Lenore Kingston Jensen was W6NAZ and was one of the founders of the YLRL in the late 30's. Steve's dad, W6VGQ is also a silent key but was active for many years with Lenore and her efforts to provide phone patch traffic for ARMY MARS during the late 60's, early 70's Vietnam era.

Steve has an engineering consulting company (Steve Jensen Consultants Inc.) specializing in radio interference issues primarily for commercial and military aircraft programs and related subcontractors.

Steve's sister is Cindy Wall, KA7ITT. Cindy is the author of several amateur radio adventure stories for young people of all ages.



John C. Jensen, Steve's grandfather (seated on the right), is operating 9YD from Nebraska Wesleyan University 1918.

Field Strength Meter Project

Circuit : Andy Collinson
[Email Andy](#)

Description:

This Field Strength Meter is simple and also quite sensitive. It uses an ordinary digital voltmeter to measure RF signal strength up to a few hundred MHz. See **Figure 1** below.

Parts List:

- 1 OA91 Germanium Diode or equivalent
- 1 3.3M Resistor
- 1 100p Capacitor
- L1 7 turns on a 1/4 inch former (suitable for around 100MHz)

Field Day Looms Near!

Don't forget to put *ARRL Field Day* on your calendar this year, the dates are June 28-29, bring a friend and introduce them to Amateur Radio.

73 de Norm KN6CV -[email](#)
[Norm](#)

Remembering Mother

Historians claim that the holiday of Mother's Day emerged from the ancient festivals dedicated to mother goddess.

In the ancient Greek empire,

APRIL T-HUNT de W6TKV

The Fox was Fred-W6TKV and the Hunters were Norm-KN6CV and Perry-AE6GQ. The Fox parked his car in the middle of the large parking lot located on the northwest corner of Hamner and ??? (Silent Valley Parkway??). What could be simpler? Oh, did I forget to mention, I was driving a car other than my own?

Well, I set up the T on the floor, placed a vertical antenna atop a toolbox on the

Notes:

The multimeter should be set to the lowest dc volts range for maximum sensitivity. This is normally 200mV DC for most meters. The circuit works well at VHF (around 100MHz) and was quite pleased with the results. L1 was 7 turns on a quarter inch former with ferrite slug. This covered the UK FM band. A digital multimeter, as opposed to an analogue signal meter offers several advantages in this circuit. First, the impedance of a digital meter is very high, around 10Meg/Volt on most meters. This does not shunt the tank circuit unduly. Second, compared to an analogue meter, very slight differences in signal strength can be more easily observed. Thirdly, a digital meter will have better linearity, responding well to both weak and stronger signals.

Submitted by KQ6HF

Buy The Ticket, Take The Ride

IECARO is holding a multi-prize raffle this summer. The First prize is a Yaesu FT897, -or- a Garmen GPS Street pilot! The second prize is a Yaesu FT1500M, and third prize, of which 5 will be awarded, is an ARRL Repeater Directory. Tickets are \$1 each, 6 for \$5, and 13 for \$10. Drawings for all prizes will be at the September or November IECARO Meeting. See Fred Roberts to buy tickets.

Rhea, the wife of Cronus, and mother of Gods and Goddesses, was worshipped.

In Rome too, Cybele, a mother Goddesses, was worshipped, as early as 250 BC. It was known as Hilaria, and it lasted for three days, called the Ides of March, that is from March 15 to March 18.

However, neither of them meant for the honoring of our immediate mothers, as is done in our Mother's Day.

Rather more closely aligned to our Mother's Day, is the "Mothering Sunday". England observed "Mothering Sunday", or the "Mid-Lent-Sunday, on the fourth Sunday in Lent.

In the United States, Anna M. Jarvis (1864-1948) is credited with bringing in the celebration of Mother's day.

Mother's day falls on May 11th this year.

Log Book and QSL Presentation by W6TKV

At the April meeting, Fred, W6TKV, gave a presentation on Logging and QSLing. Your editor was not at the meeting, and was instead having fun at home with his family.

front seat, and then walked about 50-60 feet from the car and leaned against a light pole. Norm arrived first, parked his car and wandered. Perry arrived - drove right by the T, parked his car and wandered. After much wandering on their part, I decided to return to the car and sit in the front seat. After a while, they wandered by - Norm first and then Perry. We then adjourned to Norco's Best for lunch - the best part of the T-Hunt for the Fox.

The real problem with a good hiding spot is that is much more ho-hum than a less difficult spot, i.e. you have to wait longer for folks to find you. By the way, since the cigarette lighter only worked with the ignition on "Accessories", I couldn't lock the car so I felt obliged to stay nearby and make sure no one drove off with it. Sigh - no cup of coffee for me.

On May 3rd, Norm will assume the persona of Mr. Fox. It is understood he plans to paint his car with invisible paint so it is hard to find. Sure hope we don't crash into it.

Hunters and ride-alongs meet at St. John's Episcopal Church at the corner of Ontario and Magnolia Streets at 9:45 for antenna setup and check-in.

If you have never been on a T-Hunt, why not join us for a ride-along and see how its done. If you have T-Hunt equipment, come join us. If



you need equipment, talk to Norm and he can set you up.

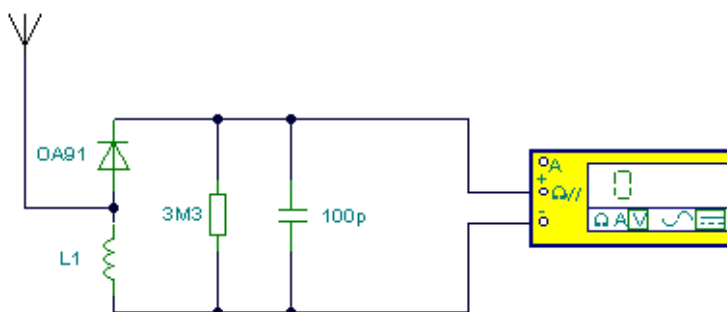


Figure 1. Field Strength Meter Schematic

What's Happening in May?

Event	Location	Time	Day
T-Hunt	St. John's Episcopal Church	9:45 AM	3 rd
Friday Lunch Bunch	Norco's Best	11:30 AM	2 nd , 9 th , 16 th , 23 rd , 30 th
CNARC Meeting	Corona Senior Center	7:00 PM	5 th
Fontana Swapmeet	A. B. Miller HS, Fontana	7:00 AM	10 th
IECARO Meeting	A. B. Miller HS, Fontana	9:00 AM	10 th
Club Breakfast	Norco's Best	7:00 AM	10 th
Mother's Day			11 th
Cal Poly Swapmeet	Cal Poly Campus, Pomona	7:00 AM	17 th
Memorial Day			26 th
TRW Swapmeet	TRW, Redondo Beach	7:00 AM	31 st

IECARO Editors Conference	TBA	9:00 AM - 12:00 PM	31 st
------------------------------	-----	-----------------------	------------------

[BACK](#)

[CNARC HOME](#)

[EMAIL](#)

[CCC ARCHIVES](#)

[CLOSE](#)

